



**NORDLAND  
LIGHTING®**



## **NGBP-LEDEX** ZONE 1, 2, 21, 22



Management System  
ISO 9001:2015  
www.tuv.com  
ID 910909702a



**FLOODLIGHT • BULKHEAD • HAZARDOUS**

### **OVERVIEW**

The NGBP Exn LED Pro, an advanced luminaire designed to excel in a diverse range of lighting applications. Its versatility makes it the perfect choice for illuminating indoor areas, outdoor spaces, industrial environments, emergency lighting, hazardous areas, mining and surface areas, and oil and gas facilities.

The NGBP Exn LED Pro features impressive performance characteristics, boasting superior lumen output, energy efficiency, and a long lifespan, ensuring bright and enduring illumination while optimizing

energy consumption. Its uniform and glare-free illumination, combined with a wide beam angle, guarantees extensive coverage and enhanced visibility, creating a well-lit and safe environment for various applications. The luminaire excels in color rendering, delivering accurate and vivid lighting, enhancing visibility and color representation.

With instant start capabilities without flickering and built to withstand impacts and vibrations, the NGBP Exn LED Pro ensures reliability and stability in demanding environments. Featuring an IP rating of 65 or better,

the luminaire demonstrates its resilience against dust and water ingress, making it suitable for indoor and outdoor installations.

Installation is made simple with multiple mounting options, including ceilings, walls, and poles, with included mountings for added convenience. Crafted with quality materials, the NGBP Exn LED Pro represents a customizable and dependable lighting solution, tailored to meet diverse requirements and deliver exceptional performance in any setting.

### **APPLICATIONS**



**INDOOR  
AREAS**



**OUTDOOR  
AREAS**



**INDUSTRIAL  
ENVIRONMENTS**



**HAZARDOUS  
AREAS**



**MINING AND  
SURFACE AREAS**



**OIL AND GAS**

## PERFORMANCE

Model Name	NGBP-LED Ex			
Wattages	40W	55W	72W	102W
Nominal Lumens	6800lm	9350lm	12240lm	17340lm
System Lumens	4800lm	6600lm	8640lm	12240lm
System efficacy lm/W	120W/lm	120lm/W	120lm/W	120lm/W
Emergency Operation	6W @ 1hr 800 lm EM Version only			

## LED AND OPTICS

Optics	65° deg standard, 120° deg available on request
Expected lifetime	>72000
L70 rating	>54000 @ 80°C
Colour Rendering Index RA	>80
Colour Temperature	5000K Standard, 3000K 4000K available on request

## ELECTRICAL AND OPERATING

Driver	Ex approved Constant current
Operating temperature	-20°C to +40°C
Input voltage/Frequency	220V-240VAC $\pm$ 10% 50/60 Hz
Input Current	0,192A @40W; 0,264A @55W; 0,345A @72W; 0,489A @102W
Power Factor	0.96
Surge Protection	4kV L/N to PE, 2kV L to N

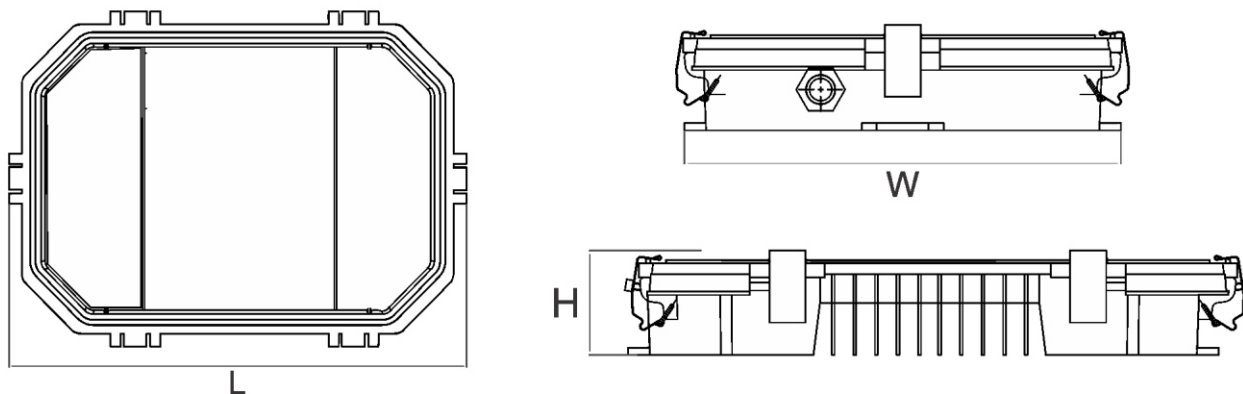
## PRODUCT MATERIALS AND INSTALLATION

Housing	High Pressure Die cast LM Aluminium, Powder Coated
Lens	Tempered Glass
Gasket	Rubber Silicone cemented into groove
Finish	Powder Coated, Standard Dark Grey, Other colour options available on request
Ingress Protection	IP66
IK Rating	IK10
Mounting Options	Wall, Pole, Ceiling, Flood Trunnion arm optional
Spigot size	N/A

## CERTIFICATIONS. STANDARDS AND WARRANTIES EX

MASC S/20-2046X		
Zone 1 and 2	Ex e mb IIC T4 Gb	Complies to SANS 60598-1
Zone 21 and 22	Ex tb IIIC T135°C Db	Complies to SANS 1464-22 (EM Version)
		Complies to SANS 60079-0

## DIMENSIONS



## DIMENSIONS AND PACKAGING

Model	NGBP LEDEx	
Wattage	40, 55, 72, 102	
Dimensions mm (LxWxH)	410 x 303 x 72mm	
Weight Kg (Unit / packaged)	6kg	6,2kg

## ACCESSORIES

Flood Trunnion arm
15 degree Wall mount bracket
Pole mount Bracket
Wire Guard

## PHOTOMETRIC PERFORMANCE:

As photometric data and IES files differ according to the selected optics and wattages, these are available on request

## WARRANTY:

Warranty - 5 years

52 Fransen str, Chamdor  
PO Box 2465  
Noordheuwel Ext 4  
1756  
South Africa

T: 010 442 2809  
E: sales@nordland.co.za  
W: www.nordland-lighting.com

